

Maulana Azad

National Institute of Technology Bhopal- 462 003

(An Institution of National Importance under MHRD, Govt. of India)



INVITATION FOR EXPRESSION OF INTEREST (EoI)

For

For revamping campus wide current network infrastructure of Institute

Website: www.manit.ac.in
Email Address: info@manit.ac.in

Fax No: 0755-2670562
Telephone No: 0755-4051000, 0755-4052000

I N D E X

SN	Description	Page Nos.
1	Expression of Interest	3
2	Important Information at a Glance	4
3	Over view	5
4	Clarifications/Further Information	5
5	ANNEXURE-A-- Existing and proposed Internet network	6-7
6	ANNEXURE-B-- Application From	8

Maulana Azad

National Institute of Technology Bhopal- 462 003

(An Institution of National Importance under MHRD, Govt. of India)

No. MANIT/S&P/2017: 572

Date: 13/11/2017

EXPRESSION OF INTEREST

Sub: For revamping campus wide current network infrastructure of Institute.

Institute invites **Expression of Interest** (EOI) from leading Vendors/ Service providers/ OEM with proven experience for revamping campus wide current network infrastructure of the Institute. Interested Vendors/ Service providers/ OEM have to make their demonstration/ presentation before the Committee members and submit best solution for it.

The detailed Expression of Interest document may be down-loaded from Institute website: www.manit.ac.in. The time-slot for presentation before the Committee members can be obtained from HoD- Computer Science Engineering Department or Chairman- Networking, Computer Science Engineering Department on or before **21/11/2017**.

Registrar

Maulana Azad
National Institute of Technology Bhopal- 462 003

IMPORTANT INFORMATION AT A GLANCE	
EoI No & Date	No. MANIT/ S&P/2017:572
	Date: 13/11/2017
Scope of EoI	For revamping campus wide current network infrastructure of Institute
Location of Supplies & Installation	Institute Campus
Last date for seeking time-slot for presentation	21/11/2017 up to 17.00 hours
Presentation dates & time	27/11/ 2017
Expression of Interest Document	EoI Document can be downloaded free of cost from Institute Website: www.manit.ac.in
Details of Contact Persons for getting time-slot for Presentation	
Dr. Meenu Chawla HoD Computer Science Engg 0755- 4051301 Meenuchawlamanit@gmail.com	Dr. Praveen Kaushik Chairman- Networking 0755- 4051303 kaushikp@manit.ac.in

1 OVERVIEW

Maulana Azad National Institute of Technology (MANIT) is one of the leading institutions of national importance in the area of technical education, established with the objective of developing a “Centre of Excellence” in the central region. Its aim at becoming a multi-disciplinary Centre for technical education by strengthening both teaching and research activities besides contributing to the needs of rural community, society and industry at large.

Institute is fully funded by Ministry of Human Resource Development, Government of India and is governed as per provisions made under the National Institute of Technology, Science Education and Research Act 2007. (NITSER Act 2007)

This MANIT is interested in revamping its campus wide current network infrastructure of Institute. Brief description of existing and proposed Internet network is given at **ANNEXURE-A**.

The leading Vendors/ Service providers/OEM (hereinafter called firms) are invited to present and submit their Expression of Interest (EOI). During presentation, the firm representative must explain the proposed solution in detail and explain why his/her firm’s solution is better than others.

The objective of the work is to improve the current backbone infrastructure along with security solutions and campus wide networking facilities in the Institute to provide seamless, fast and secure internet service to its users. Also, the new infrastructure should be able to steer up security surveillance system in the Institute.

2 CLARIFICATIONS/FURTHER INFORMATION

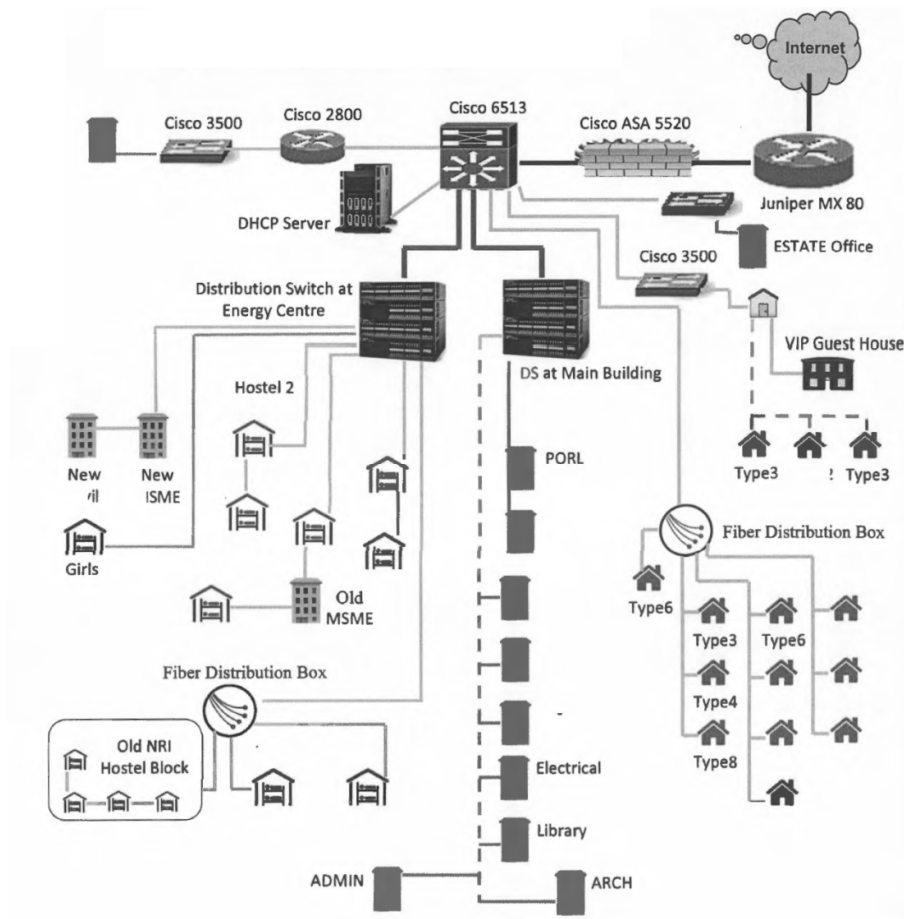
Firm may apply through Application Form given at **ANNEXURE-B** to below mentioned persons for seeking time-slot for presentation before the Committee members on or before 21/11/2017. Tentative date for presentation shall be 27th of November 2017 which will be communicated individually to firms:

<p>Dr. Meenu Chawla HoD Computer Science Engg 0755- 4051301 Meenuchawlamanit@gmail.com</p>	<p>Dr. Praveen Kaushik Chairman- Networking Computer Science Engg 0755- 4051303 kaushikp@manit.ac.in</p>
---	---

EXISTING NETWORK

MANIT Bhopal has a LAN setup of more than 8000 nodes in academic area and hostels on a gigabit fiber optic backbone as per following:

1. The current network architecture is shown below

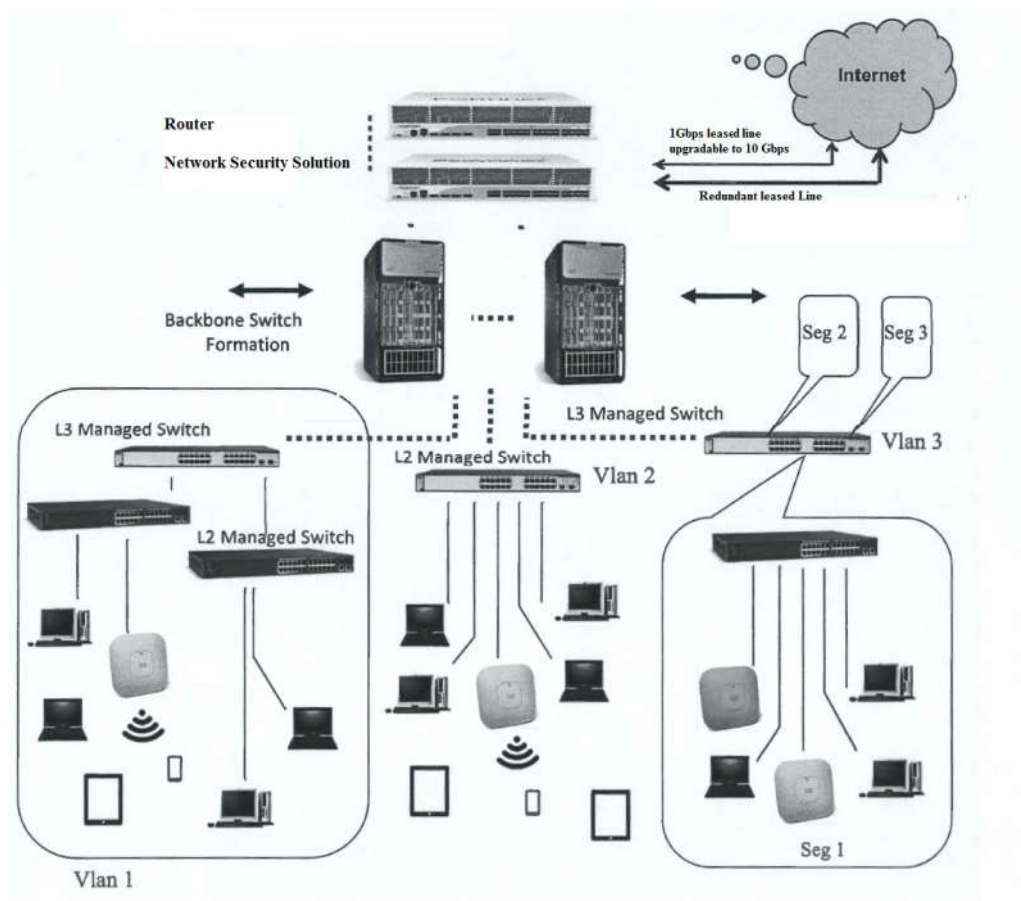


2. Network Cabling: Building to building is fiber optic and within the building is copper (mostly UTP CAT-6 cables).
3. All buildings in academic area are connected through a fibre optic terminated at distribution centre (E-211) and hostels are connected through a fiber optic backbone terminated at distribution centre (Energy centre) which is then connected at a core switch in Computer Centre, MANIT-Bhopal.
4. I/O nodes in the buildings and hostel are connected to switch. Switches of both category i.e. managed/ unmanaged

Scope of Work:

Institute is interested in creating its own fiber optic backbone of up to 40 Gbps speed and core switch to provide fast and secure network and internet services to faculty, students and staff. Institute is also interested to upgrade the existing network to state of the art enterprise grade network. The bidder should design the network as per following requirement:

1. The network should be able to provide internet services up to 15,000 users of the Institute without any degradation in performance.
2. The fiber optic backbone should be of up to 40 Gbps speed with redundancy.
3. Scope of work includes reuse of old network equipments at some non critical areas
4. Proposed tentative architecture is shown below:



ANNEXURE-B

FIRM DETAILS		Name of Firm→	
		Registered Complete Address→	
Year of Establishment→			
Type of Agency→ Proprietary Firm/ Partnership Firm/ Private Company/ Limited Company/			
Firms Telephone No→			
Firm website & → Email Address			
Name of Owner / Authorized Person→			
Contract No with e-mail ID→			
Details of Statutory compliances and its valid Numbers:			
SN	Particular	Number	Remarks (if any)
1.	Firms/ Society Registration →		
2.	Income Tax PAN→		
3.	GST Number→		
Date:		Signature of authorized Person and Seal	
For office use			
Date & time allotted→			
Communicated through email on→			
Communicated through mobile on→			